

# Sightglass light fittings

## Series KLR / KLR PowerLED in stainless steel for use in safe areas



Sightglass light fitting type KLR PowerLED Sch, 7 W, 230–240 V, mounted with tilting hinge "Sch" on sightglass to DIN 28120, DN 150, PN 10, for application "view and light through one assembly".



Sightglass light fitting type KLR 100 HD R80 K2, 100 W, 24 V, with built-in momentary push-button "D", mounted with flange collar "R 80" on screwed sightglass similar to DIN 11851, DN 80, PN 6.

The high performance sightglass light fittings of the series KLR and KLR PowerLED offer the following main features and advantages:

- Very interesting prices due to high series production
- Suitable for continuous use
- **Easiest mounting** by means of a tilting hinge "Sch"/"Sch 1" or a flange collar "R"
- **Brilliant and dazzle free illumination**, even of difficult media
- **Small dimensions** providing **high lighting power**
- For use in version "view and light through one assembly" as well as for the two port system
- **Cold light outlet** (KLR PowerLED)
- Available with push-button for momentary operation "D" or "on-off" switch "E"

#### Application:

On sightglasses to DIN 28120 **from DN 40**  
 On sightglasses to DIN 28121 **from DN 40**  
 On screwed sightglasses similar to DIN 11851 **from DN 65**  
 On pipeline sight flow indicators

#### Operating conditions:

**Independent** of internal vessel pressure or vacuum. The series KLR PowerLED is admitted for ambient temperatures from - 20 °C to + 40 °C.

#### Construction:

Housing and fixation elements in **stainless steel**. Cable gland Pg 9, vertical. On request with rectangular cable gland ("K2"). Built-in reflector or LED module. Built-in push-button for momentary operation "D" (types KLR 05 / 10 / 50 and PowerLED also available **without**, on request). Glass disc resistant against high temperatures. Gaskets resistant against corrosion and alteration.

#### Technical data:

Type	KLR 05 HD <sup>1</sup>	KLR 10 HD <sup>1</sup>	KLR 20 HD	KLR 50 HD <sup>1</sup>	KLR 100 HD	KLR PowerLED-S D <sup>1</sup>	KLR PowerLED-F D <sup>1</sup>
Power	5 W	10 W	20 W	50 W	100 W	7 W	
Terminal voltage <sup>2</sup>	36 / 42 / 115 / 240 V AC			12 / 24 V AC / DC	24 V AC / DC	24 V AC / DC 230–240 V AC	
Light source	Halogene			Halogene		Diodes "spot"	Diodes "flood"
Socket	G4			GY 6.35		–	–
Weight <sup>3</sup>	0,90 kg			0,55 kg		0,65 kg	

<sup>1</sup> For the version **without** push-button, the correct type designation **omits** the "D".

<sup>2</sup> Transformers with 24 V secondary voltage in open design (IP 00) for mounting into control panels or switch boards as well as in closed version (IP 65) may be supplied for different primary voltages and power capacities.

<sup>3</sup> Including the fixation tilting hinge "Sch"/"Sch 1". (With fixation "R" depending on size).

#### Enclosure protection degree:

IP 65, dust and spray water tight, to EN 60529 / DIN VDE 0470 part 1.

#### Admitted for use in food processing industries.

#### Mounting:

The luminaire is normally mounted by means of its fixation elements, suitably slotted to take a fixing bolt M6. This bolt fits a drilled and tapped hole in the cover flange of a sightglass to DIN 28120 / 28121 or similar. The position of the drilled holes may be taken from the drawings on the back of this leaflet. In case of a mounting with the flange collar "R", the latter is put under the grooved collar nut of the screwed sightglass similar to DIN 11851 and then the light fitting inserted into the "R" collar and positioned by the screws delivered with the "R" fixation.

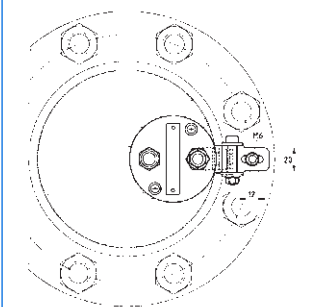
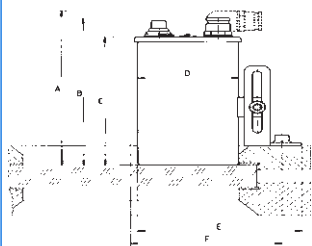
#### Important remarks:

Please indicate in case of order type and size (DN) of the sightglass on which the luminaire has to be mounted.

**The temperature raise of the housing whilst the light fitting is in service has to be observed.**

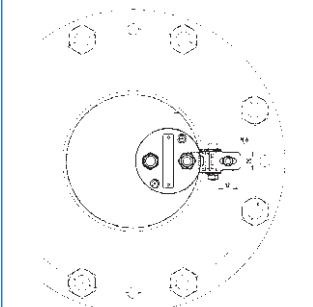
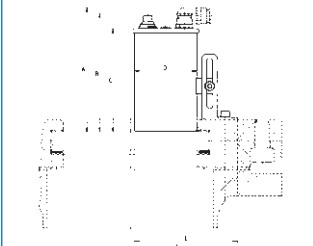
# Dimensions

Types KLR 05/ 10 / 50 H(D)Sch  
Types KLR 20 / 100 HDSch  
Types KLR PowerLED (D)Sch



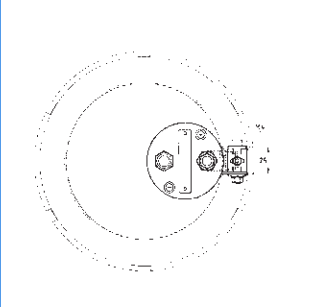
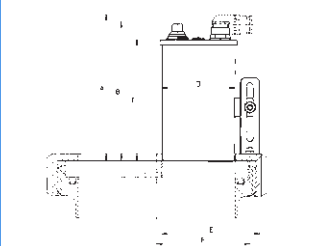
Fixation "Sch"

Types KLR 05/ 10 / 50 H(D)Sch  
Types KLR 20 / 100 HDSch  
Types KLR PowerLED (D)Sch



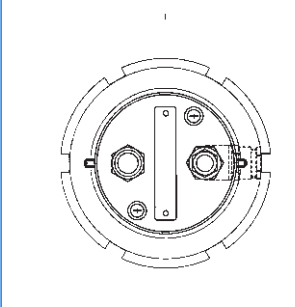
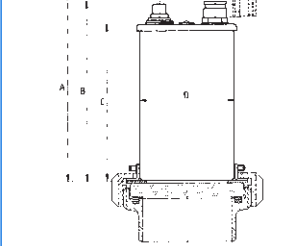
Fixation "Sch"

Types KLR 05/ 10 / 50 H(D)Sch1  
Types KLR 20 / 100 HDSch1  
Types KLR PowerLED (D)Sch1



Fixation "Sch1"

Types KLR 05/ 10 / 50 H(D)R  
Types KLR 20 / 100 HDR  
Types KLR PowerLED (D)R



Fixation "R"

## Sightglass to DIN 28120

DN	A	B	C	D	E	F
50	141	134	117	70	115	67
80	141	134	117	70	115	77
100	141	134	117	70	115	95
125	141	134	117	70	115	108
150	141	134	117	70	115	118
200	141	134	117	70	115	142

## Sightglass to DIN 28121

DN	A	B	C	D	E	F
50	141	134	117	70	115	67
80	141	134	117	70	115	67
100	141	134	117	70	115	84
125	141	134	117	70	115	95
150	141	134	117	70	115	95
200	141	134	117	70	115	110

## Screwed sightglass similar to DIN 11851

DN	A	B	C	D	E	F
65	141	134	117	70	94	39
80	141	134	117	70	94	47
100	141	134	117	70	94	57
125	141	134	117	70	94	69
150	141	134	117	70	94	82

## Screwed sightglass similar to DIN 11851

DN	A	B	C	D
65	141	134	117	70
80	141	134	117	70
100	141	134	117	70
125	141	134	117	70
150	141	134	117	70

Branch office / exclusive agent:

Do you wish for more information about our wide range of light fittings for use in hazardous and safe areas, camera systems for hazardous areas, about our range of circular sightglasses to DIN 28120/28121, screwed sightglasses similar to DIN 11851, rectangular or D-ended sightglasses, pipeline flow indicators, centrally or sideways operated wipers, hinged sightglasses, spraying devices or our complete sight and lightglass units VETROLUX? Are you interested in other types, special versions or different protection degrees? If yes, please contact us, our branch office or our local agents – it is our business! You will find the necessary indications about our sales network on the Internet.