

# Micro LED sightglass light fittings

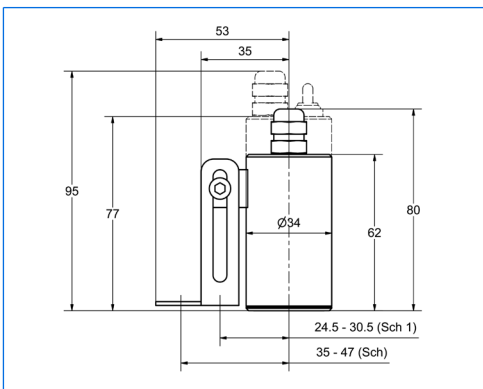
## Series MVLR in stainless steel for use in safe areas



Micro LED light fitting, type MVLR 2 LED, 2 W, 24 V AC/DC, mounted on metal fused sightglass for Triclamp® fitting, DN 50, PN 16



Micro LED light fitting, MVLR 2 LED E Sch1, 2 W, 24 V AC/DC, with integrated ON-OFF switch "E", mounted on VETROLUX screwed sightglass similar to DIN 11851, DN 32, PN 6



All dimensions in mm. Subject to changes without preliminary notice.

The micro LED sightglass light fittings of the series MVLR **entirely in stainless steel** offer the following main features and advantages:

- **Extremely small** dimensions
- Very interesting prices due to high series production
- Only **one** size for use on different sightglass diameters
- Housing of **high surface finish**, especially adapted for applications in clean and sterile areas
- **Brilliant, powerful, dazzle free** and **homogeneous** illumination due to state-of-the-art LED technology
- **UV-free and cold** light output
- Very long **life span** (approximately 35'000 operating hours)
- Insensitive to vibrations
- Suitable for **continuous operation**
- On request to be delivered with ON-OFF switch (type designation "E") or with built-in lever push-button for momentary operation (type designation "D")
- **Easiest mounting** by means of a tilting hinge "Sch" or "Sch 1", clip fastener "Z" or directly onto metal fused sightglasses, by tilting bolt M4
- For use in version "view **and** light through **one** assembly" as well as for the two port system, even for very small sightglass diameters
- **Robust construction and high reliability** for even rough industrial applications

### Application:

On sightglasses to DIN 28120 **from DN 25**  
On sightglasses to DIN 28121 **from DN 40**  
On screwed sightglasses similar to DIN 11851 **from DN 32**  
On metal fused sightglasses  
On pipeline flow indicators (in-line sightglasses)

### Operating conditions:

**Independent** of internal vessel pressure and vacuum. Admitted for ambient temperatures from - 20 °C to + 40 °C.

### Construction:

Housing and fixation elements **entirely in stainless steel**. Cable gland M12, vertical. LED module with integrated glass disc and gasket (resistant against corrosion and alteration). On request with ON-OFF switch "E" or built-in, sealed lever push-button for momentary operation "D".

### Technical data:

Terminal voltage: 24 V AC / DC\*  
Power: 1 W or  
2 W, with wide ("flood" version; standard) or concentrated ("spot" version; on request) beam of light  
Light source: Diodes  
Weight: 0,20 kg (MVLR LED without fixation)  
0,24 kg (MVLR LED D or E without fixation)  
Fixation "Sch" 0,03 kg, fixation "Sch1" 0,03 kg

\* Transformers with 24 V secondary voltage in open design (IP 00) for mounting into control panels or switch boards as well as in closed version (IP 65) may be supplied for different primary voltages and power capacities.

### Enclosure protection degree:

IP 65, dust and spray water tight, to EN 60529 / DIN VDE 0470 part 1.

**Admitted for use in food processing industries.**