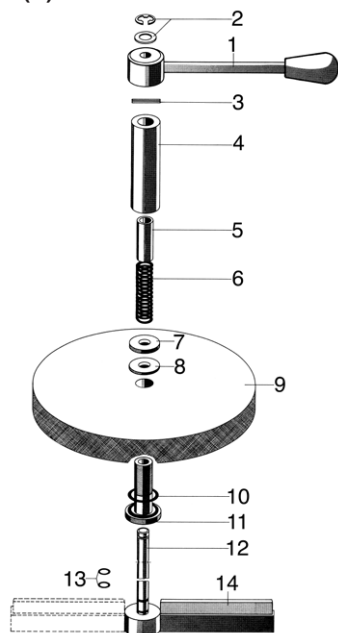


# Wipers

## for sightglass discs

### Series W / WD / WDT / WR / WDR

#### Type W(D)



#### Construction:

- 1 Handling arm
- 2 Circlips
- 3 Fixation pin
- 4 Distance piece
- 5 Inner bush
- 6 Tension spring
- 7 Spring washer
- 8 Gasket
- 9 Glass disc
- 10 O-Ring
- 11 Fixation bush
- 12 Wiper-blade holder
- 13 O-Rings for holder
- 14 Wiper-blade

#### Type WDT



#### Application:

Wipers of the series W / WD / WDT / WR / WDR are built into sightglasses similar to DIN 28120 or DIN 11851 to prevent crystallisation of the media inside the vessel onto the inner side of the glass disc or to hold the sightglass free of dust and / or dirt.

The wipers are mounted into glass discs with a centric hole of a diameter of 10,5 mm.

#### Materials (standard):

Wiper-blade: PTFE, silicone rubber, silicone rubber FDA

Mechanical parts: Stainless steel

Glass discs: Sodium silicate similar to DIN 8902 or Borosilicate similar to DIN 7080

Macrolon on request (for pressureless operation at ambient temperature)

#### Operating conditions:

1. Maximum pressure inside the vessel: 2 to 6 bar, depending of the glass diameter (see table overleaf). For higher pressures, please consult us.
2. Vacuum: Values on request
3. Maximum temperatures: 180 °C with wiper-blade of silicone rubber  
200 °C with wiper-blade of PTFE

#### Possible combinations (only for wipers for the series W / WD):

Sightglasses to or similar to DIN 28120:

Series / DN	50	80	100	125	150	200
HL	X	●	●	●	●	●
MVLR	⊙	●	●	●	●	●
BKVLR (LED)	⊙	⊙	⊙	●	●	●
fibroLUX / fibroLUX E / fibroLUX E d PowerLED	X	●	●	●	●	●
KVLR	X	⊙	⊙	●	●	●
KLR (PowerLED)	X	X	⊙	⊙	●	●
EdelEx (LED / PowerLED) / (F)(L)KEL (PowerLED) / (F)HEL (PowerLED) / KL (PowerLED) / FHL (PowerLED)	X	X	⊙	⊙	⊙	●

Sightglasses similar to DIN 11851:

Series / DN	50	65	80	100	125	150
HLM / HLMR	X	●	●	●	●	
MVLR	X	X	⊙	●	●	●
BKVLR (LED)	X	X	⊙	⊙	⊙	●
fibroLUX / fibroLUX E / fibroLUX E d PowerLED	X	X	X	●	●	●
KVLR	X	X	X	⊙	⊙	●
KLR (PowerLED) / EdelEx (LED / PowerLED)	X	X	X	X	⊙	⊙
(F)(L)KEL (PowerLED) / (F)HEL (PowerLED) / KL (PowerLED) / FHL (PowerLED)	X	X	X	X	X	⊙

X = Can not be combined ⊙ = May be combined ● = May be combined without restrictions

#### Type designations:

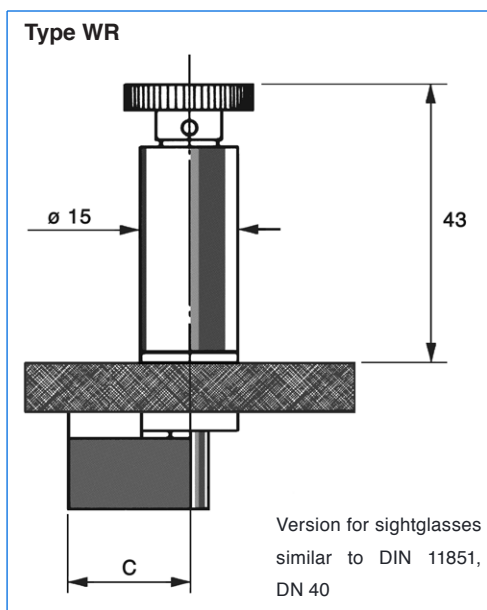
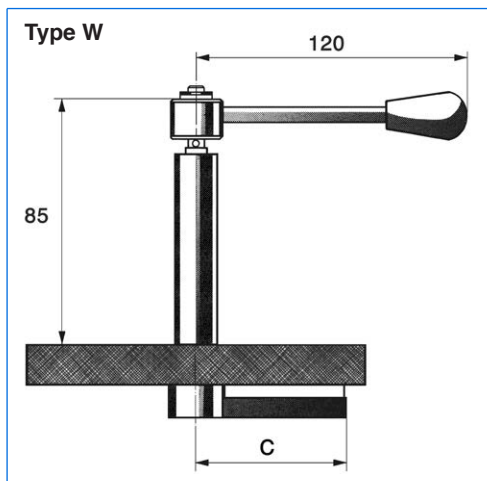
Version with one wiper-blade, manipulation by handling arm and ratch: Type W  
 Version with double wiper-blade, manipulation by handling arm and ratch: Type WD  
 Version with double wiper-blade, manipulation by T handle: Type WDT  
 Version with one wiper-blade, manipulation by knob: Type WR  
 Version with double wiper-blade, manipulation by knob: Type WDR

#### Additional remarks:

- The glass discs with centric hole and the wipers may be ordered separately. In case of complete orders, they leave our works as premounted units.
- The wipers for the screwed sightglasses similar to DIN 11851 of the DN 40 are only available with the knob version.
- The wipers of the type WDT can only be combined with few series of light fittings. Please consult us.

# Dimensions

## Supplementary informations



The following table is valid for VETROLUX sightglasses to or similar to DIN 28120.

DN	Free view (mm)	Length of wiper-blade (mm)	Dimensions of the glass disc (diameter x thickness) (mm)	C	Maximum pressure (bar)
50	80	26	99 x 15	38	6
80	100	36	125 x 15	48	4,5
100	125	48	150 x 15	60	3
125	150	61	175 x 15	73	3
150	175	73	200 x 15	85	2
200	225	98	250 x 15	110	2

Special dimensions on demand. (Up to DN 400)

The following table is valid for screwed sightglasses VETROLUX similar to DIN 11851.

DN	Free view (mm)	Length of wiper-blade (mm)	Dimensions of the glass disc (diameter x thickness) (mm)	C	Maximum pressure (bar)
40	40	11	51 x 7,5	18	3
65	65	18	84 x 10	30	4
80	80	26	99 x 15	38	6
100	100	36	114 x 15	48	5
125	125	48	147 x 15	60	3
150	150	61	175 x 15	73	3

Special dimensions on demand.

Do you wish for more information about our wide range of light fittings for use in hazardous or safe areas, our camera systems for hazardous areas, about our range of circular sightglasses to or similar to DIN 28120/28121, screwed sightglasses similar to DIN 11851, rectangular or D-ended sightglasses, pipeline flow indicators, sideways operated wipers, hinged sightglasses, spraying devices or our complete sight and lightglass units VETROLUX? Are you interested in other types, special versions or different protection degrees? If yes, please contact us, our branch office or our local agents – it is our business! You will find the necessary indications about our sales network on the Internet.