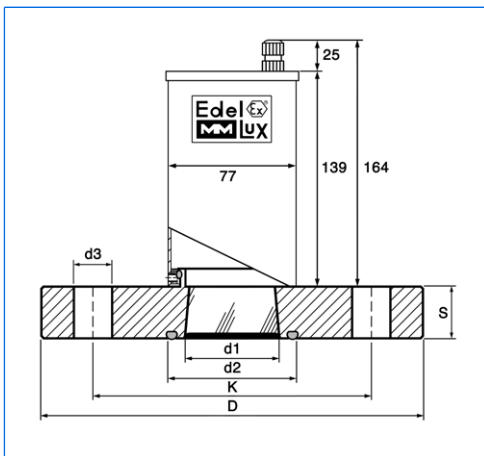


# Hazardous sightglass light fittings from stainless steel for sterile applications

## Series EdelEx STERI-LINE on metal fused sightglass flanges for sterile processes



Sightglass light fitting type EdelEx STERI-LINE 20 dH, 24 V, 20 W, Ex d IIC T4 Gb, Ex t IIIC T130°C Db IP67, Ex II 2 G + D, on metal fused sightglass flange



Dimensions with mounted sightglass light fitting

Branch office / exclusive agent:

All dimensions in mm. Subject to changes without preliminary notice.

### Application:

On metal fused sightglass flanges for mounting onto

- base flanges to DIN 28117 or similar
- weldnecks with flat face

for the optimal illumination of small and pilot reactors as well as vessels for sterile and aseptic applications, mainly in the pharmaceutical, biotechnological, cosmetic and food processing industries.

**IMPORTANT:** Only for use with parallel flat face flanges without seal recess. We recommend the use of Belleville spring washers, 2 pcs. for each connection hole.

### Advantages:

- Brilliant and glare free illumination
- Extremely small dimensions
- Aseptic
- High security
- Easy installation
- CIP and SIP cleaning possible

### Light fitting series EdelEx STERI-LINE (for use in hazardous areas):

Type designation	EdelEx 5 dH	EdelEx 10 dH	EdelEx 20 dH	EdelEx d LED	EdelEx d PowerLED
Nominal rating (W)	5	10	20	2	7
Terminal voltage (V)	24, 36, 42, 115, 230, 240 V AC with integrated transformer 12 V AC / DC without integrated transformer		12 / 24 V AC / DC without integrated transformer	24 V AC / DC	24 V AC / DC 230–240 V AC
Light source	Halogene			LED	
Housing	Stainless steel				
Protection mode	IP 65				IP 65 / 67
	Dust tight and protected against the effects of temporary immersion to EN 60529 / DIN VDE 0470 part 1				
Ignition protection type to EN 60079-0 / 60079-1 / 60079-28 <sup>1)</sup> / 60079-31	Ex d IIC Gb Ex t IIIC Db			Ex d op is IIC Gb Ex tb IIIC Db	
Explosion groups	IIC / IIIC				
Temperature classes G / D <sup>2)</sup>	T6 / T80°C	T4 / T130°C		T6 / T80°C	
ATEX	Ex II 2 G + D				

<sup>1)</sup> Only for type EdelEx d PowerLED <sup>2)</sup> T<sub>a</sub> = -20°C / +40°C (T<sub>a</sub> up to +60°C on request)

**For technical details see data sheet EdelEx 5 dH / 10 dH / 20 dH and EdelEx d LED / PowerLED**

### Metal fused sightglass flange:

- TÜV-approval to the pressure vessel guideline as part of a pressure vessel (for material duplex stainless steel 1.4462)
- Test base: DGRL 97 / 23 / EG, AD 2000 standards, DIN 7079-1 May 1999
- Materials to VdTÜV specifications and the respective DIN/EN standards
- Glass quality: Borosilicate glass to DIN 7080
- Certificates to DIN EN 10204 may be supplied against extra charge
- Pressure: -1 to 16 bar
- Temperatures: Ring materials: 1.4462: -30°C to +280°C  
2.4602 / 2.4605 / 2.4610: -60°C to +300°C

### Dimensions:

DN*	PN	D	K	S	d1	d2	d3	Number of holes	O-Ring**	Spring washer**
50	16	165	125	21	38	66	18	4	58,74 x 3,53	31,5/16,3x1,25
65	16	185	145	23	38	86	18	4	78,97 x 3,53	31,5/16,3x1,25

\* Larger nominal diameters on request

\*\* Not contained in our delivery